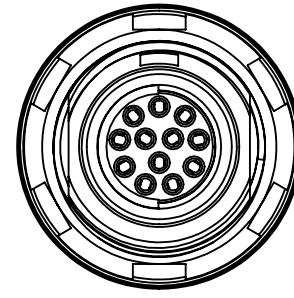
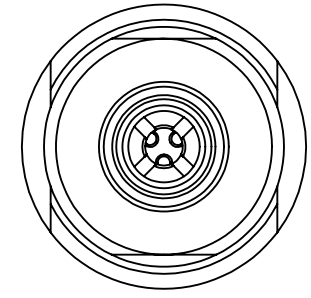
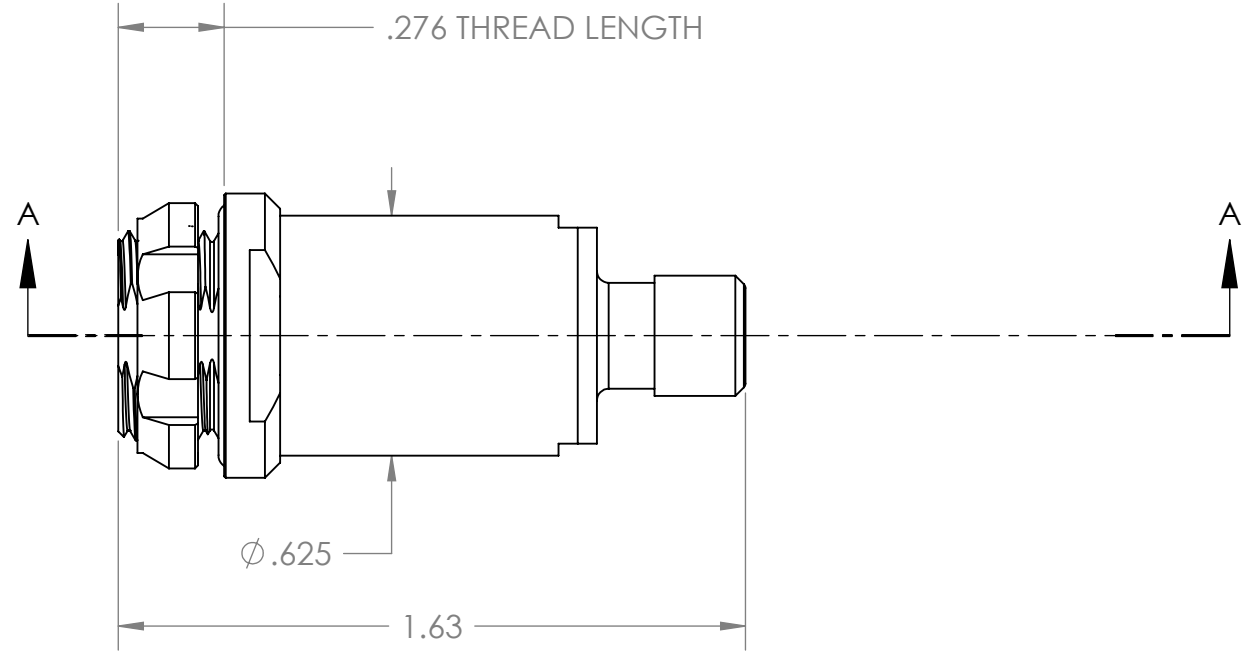


8 7 6 5 4 3 2 1

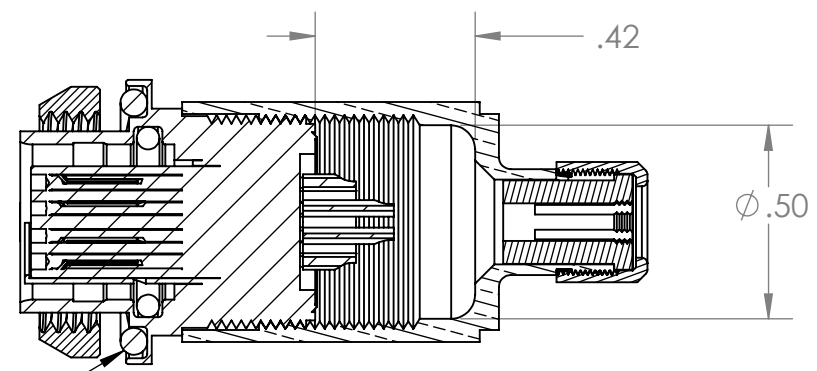
REVISIONS			
REV.	DESCRIPTION	DATE	APPR.
x	PROTOTYPE	8/21/2009	



AVAILABLE IN:
2,3,4,5,6,7,8,10,12 & 19
CONNECTOR PIN



AVAILABLE WIRE SIZES (MM)	
DIAMETER RANGE	PART REF #
1.5 - 2.1	E32 102.2/2.1
2.1 - 2.6	E32 102.2/2.6
2.6 - 3.1	E32 102.2/3.1
3.1 - 3.6	E32 102.2/3.6
3.6 - 4.1	E32 102.2/4.1
4.1 - 4.3	E32 102.2/4.3



O-RING / SEALING SURFACE

SECTION A-A

- NOTES:
- HERMETICALLY SEALED CONNECTOR
 - SHELL BODY MATERIAL = BRASS
 - SHELL BODY FINISH = NICKEL PLATED
 - COMPATIBLE WITH 103 & 1031 SERIES FISCHER CONNECTORS

UNLESS OTHERWISE SPECIFIED:	
SURFACE FINISH : 64 MICRONS	DIMENSIONS ARE IN INCHES
BREAK ALL SHARP EDGES .005-.015	TOLERANCES ARE:
	FRACTIONAL $\pm 1/16$
	ANGULAR: $\pm 1^\circ$
	.X $\pm .1$
	.XX $\pm .01$
	.XXX $\pm .005$
DO NOT SCALE DRAWING	
INTERPRET DRAWING PER: ANSI Y14.5M 1994	
MATERIAL	SEE NOTES
FINISH	SEE NOTES

APPROVALS		DATE
DRAWN	J. Terry	8/21/2009
CHECKED		
ENG APPR.		
Q.A.		



SMALL HERMETIC CONNECTOR

PROPRIETARY AND CONFIDENTIAL
THE INFORMATION CONTAINED IN THIS DRAWING IS THE SOLE PROPERTY OF GWR INSTRUMENTS, INC. ANY REPRODUCTION IN PART OR AS A WHOLE WITHOUT THE WRITTEN PERMISSION OF GWR INSTRUMENTS, INC. IS PROHIBITED.

SIZE DWG. NO.	REV
B GWR-LIQF-200-0201	1
SCALE: 2:1	SHEET 1 OF 1

8 7 6 5 4 3 2 1